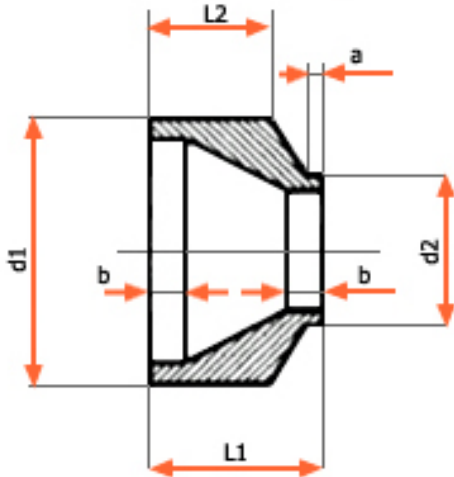
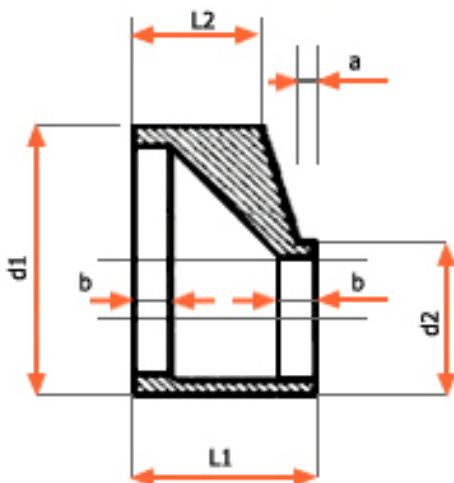


Concentric/Excentric Reducing

Concentric Reducing



Excentric Reducing



| d1 | | d2 | L1 | L2 | a | b |
|------|------------|------------|-----|-----|----|----|
| mm | equiv inch | | | | | |
| 110 | 4 | 63 a 90 | 200 | 150 | 20 | 30 |
| 125 | 5 | 63 a 110 | | | | |
| 140 | 5 1/2 | 75 a 125 | | | | |
| 160 | 6 | 90 a 140 | | | | |
| 180 | 7 | 90 a 160 | | | | |
| 200 | 8 | 110 a 180 | | | | |
| 225 | 9 | 125 a 200 | | | | |
| 250 | 10 | 125 a 225 | | | | |
| 280 | 11 | 140 a 250 | | | | |
| 315 | 12 | 160 a 280 | 400 | 300 | 30 | 50 |
| 355 | 14 | 180 a 315 | | | | |
| 400 | 16 | 200 a 355 | | | | |
| 450 | 18 | 225 a 400 | | | | |
| 500 | 20 | 250 a 450 | 500 | 350 | 40 | 70 |
| 560 | 22 | 280 a 500 | | | | |
| 630 | 25 | 315 a 560 | | | | |
| 710 | 28 | 355 a 630 | | | | |
| 800 | 32 | 400 a 710 | | | | |
| 900 | 36 | 450 a 800 | | | | |
| 1000 | 40 | 500 a 900 | | | | |
| 1200 | 48 | 630 a 1000 | | | | |
| 1400 | 56 | 710 a 1200 | | | | |
| 1600 | 64 | 800 a 1400 | | | | |

Office Address:

No.8 (Suit 6), Nour Alley, Africa St., Tehran/IRAN.....

Tel.: (+98 21) 88 67 79 65 , 88 67 79 66, 88 67 39 19 , 88 67 39 18 - Fax: (+98 21) 88 87 85 81

www.parsethylene-kish.com